

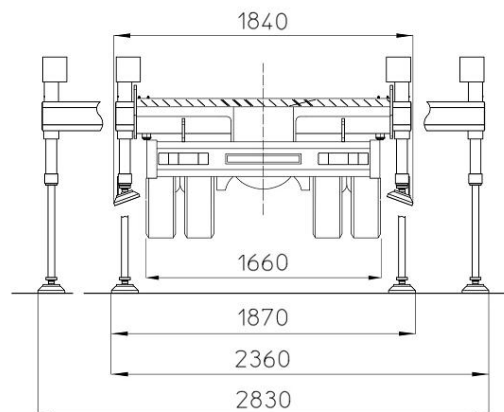
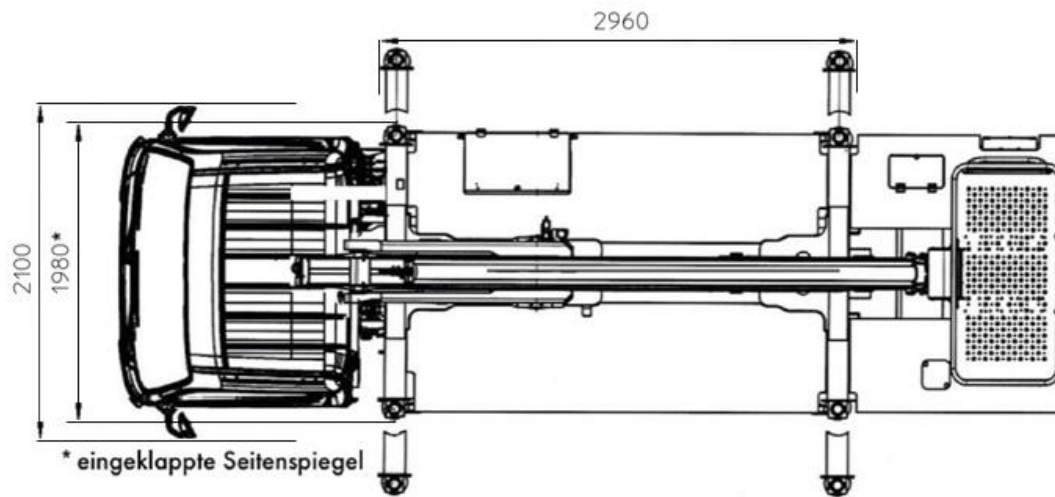
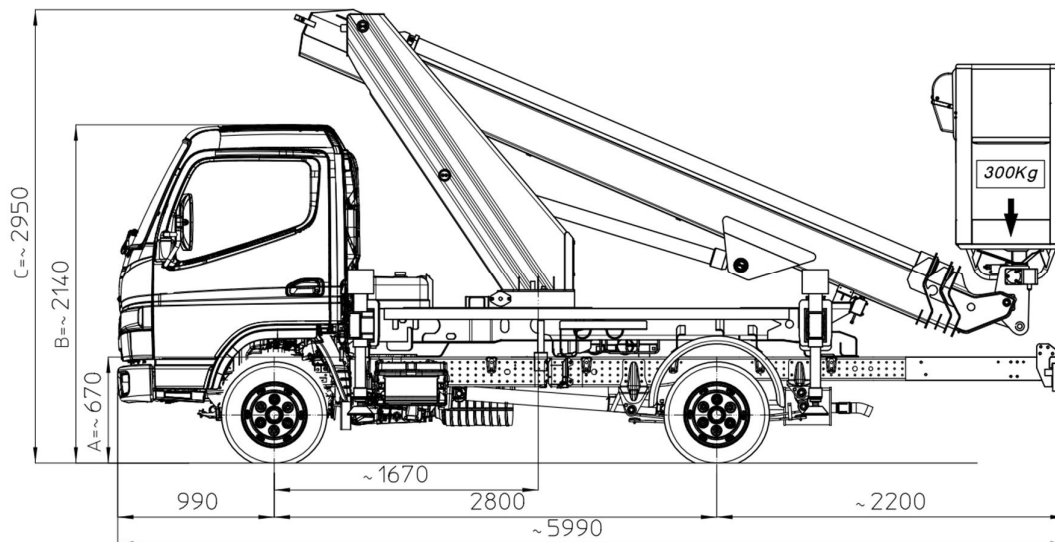


MT162

	16,15 m		14,15 m		7,50 m (300 kg) 9,00 m (230 kg)
	300 kg		1,40x0,70x1,10 m		90°+90°
	400°		EX Stabilizzatori a estensione laterale idraulica Stabs par vérins extensibles hydrauliquement Laterally extensible hydraulic stabilizers H-Abstützung		3,5 t

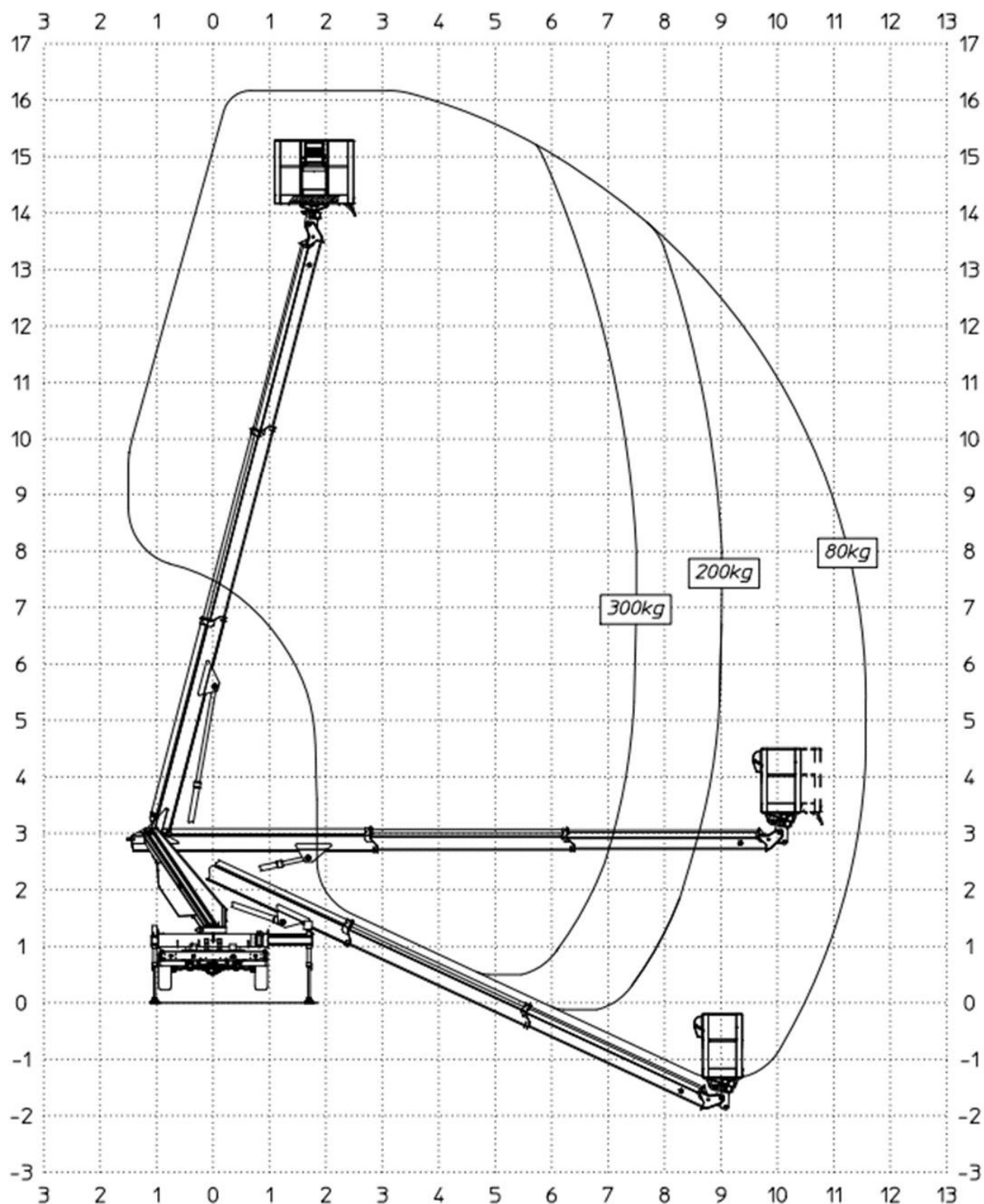
MULTITEL MT 162

Mitsubishi Canter Fuso 3S13 Euro6



MULTITEL MT 162

	300kg	200kg	80kg
SBRACCIO DI LAVORO	7,5m	9,0m	11,5m ±5%
WORKING OUTREACH	7,5m	9,0m	11,5m ±5%
DEPORT DE TRAVAIL	7,5m	9,0m	11,5m ±5%
SEITLICHE REICHWEITE	7,5m	9,0m	11,5m ±5%



MULTITEL MT 162

	300kg	200kg	80kg
SBRACCIO DI LAVORO	5,5m	6,5m	8,5m ±5%
WORKING OUTREACH	5,5m	6,5m	8,5m ±5%
DEPORT DE TRAVAIL	5,5m	6,5m	8,5m ±5%
SEITLICHE REICHWEITE	5,5m	6,5m	8,5m ±5%

